



TAIWAN
EXCELLENCE 2011

2 CH All in One

Vehicle Video Recorder



NEW 2012 AUG. V2.0



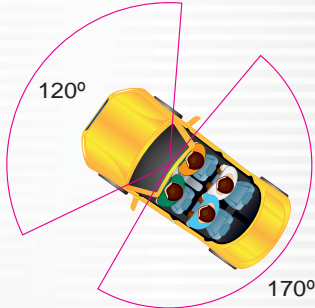
CDR-E07

- Suitable for all personal vehicle, taxi, bus, truck.....
- Small size, easy installation and dismount, it does not affect the driver's line of sight.
- Insert the card and power on to start recording without additional operating.
- Simultaneously recording interior and exterior condition.
- Having full time, date recording and display on the screen directly.
- Recording driving condition, sound, G-Sensor and GPS data.
- Front view angle approx. 120 degrees. Back view angle approx. 170 degrees.
- Recording track of driving routes which can be shown on Google Map when we play the video.
- Micor SD card Class 10 or above recommend.
- G-sensor sensitivity can be adjusted according to road situations. When detect a strong shock, system will start emergency recording and keep the files without being overwritten.
- Professional file formats, without built-in lithium battery, no needs to afraid of heat and bursting concerns, it is the real black box.

CDR-E07 2CH All in One Vehicle Video Recorder



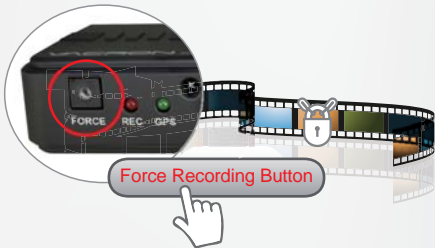
- Front view angle approx. 120 degrees.
- Back view angle approx. 170 degrees.



- Recording driving condition G-Sensor, GPS data and Google Map when we play the video.



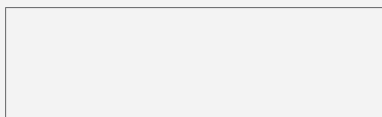
- Event Recording, keep the files without being overwritten.



- G-sensor sensitivity can be adjusted according to road situations.



- DISTRIBUTED BY

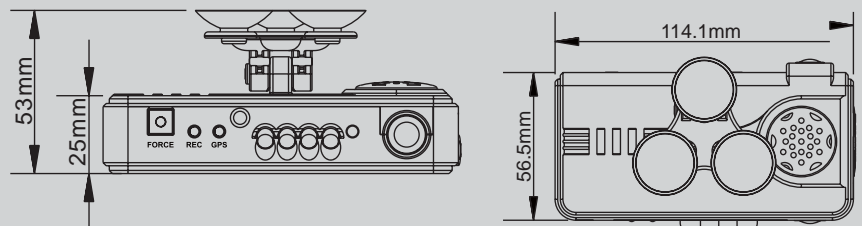


SPECIFICATIONS

Chipset	H.264 image compression chip	
Sensor Device	Forward facing lens: 720p CMOS Sensor Backward facing lens: VGA CMOS Sensor.	
View Angle	Outside vehicle approx : 120 degree Inside vehicle approx : 170 degree	
Voltage	Please use 5V±5%, 1A Cigarette lighter adapter. The machine needs 4.7v to start.	
Operating Temp	-15°C~+55°C (Inside Vehicle).	
Storage Device	Micro SD Card (4G/8G/16G/32G) . 4GB/Class 10 or above specification is available.	
Recording Frame	Forward facing lens: 1280x720; Highest resolution: 30fps/25fps (NTSC/PAL) Backward facing lens: 640x480; Highest resolution: 15fps/15fps (NTSC/PAL) Auto record when power up system; backward facing lens can be closed by setting of software.	
Recording Content	Date, time, image, sound, G-sensor data, GPS data.	
Recording Format	Specific format for software player.	
Microphone	Build-in high sensitivity of single microphone for automatic voice adjustment.	
Time Setup	Auto-calibrating by GPS signals. If GPS is not available, the built-in clock will be used.	
G-Sensor	Internal 3D G-Sensor.	
Accessories	Standard	(a) 5V cigarette Power adapter (b) USB card reader (c) 4 pings, 3.5 inch headphone jack to RCA output cable. (d) Suction cup bracket (e) Bracket holder (f) Remote control (g) Product CD (h) Quick Guide
	Optional	(a) Micro SD card (4GB/8GB/16GB/32GB) (b) External GPS Mouse (4P Phone Jack Connect)

★Version updating is not going to inform, please check the on-going updating information

Dimension Unit: mm



Viewer Player



Live Viewer

